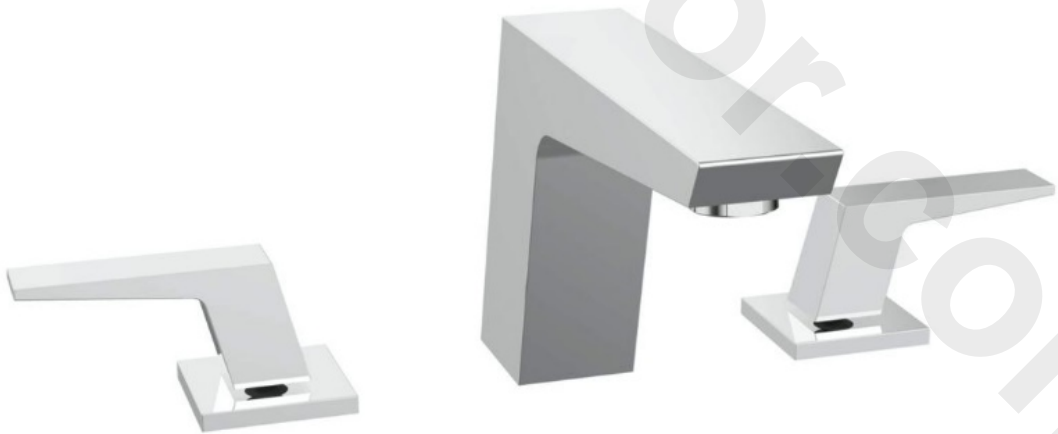

BRISTAN

Sail Extension Tap Range

Installation Instructions & User Guide



IMPORTANT: Please keep these instructions for future reference and request of replacement parts

Contents

Thank you for choosing Bristan, the UK's leading showers and taps expert. We have designed this product with your enjoyment in mind. To ensure that it works to its full potential, it needs to be fitted correctly. These fitting instructions have been created to give you all of the information you need and, if you need any further help, please do not hesitate to give us a call on 0330026 6273.

Important Safety Information	03
General Specifications	04
Dimensions	04-06
Installation	07-12
3 Hole Basin Mixer & Bath Filler	07
Wall Mounted Basin Mixer	08
4 Hole Bath Shower Mixer	09-10
Floor Standing Bath Shower Mixer	11-12
Maintenance	13-15
Troubleshooting	16
Guarantee	17-18
Notes	19

Important Safety Information

- Please read these instructions thoroughly and retain for future use.
- All products manufactured and supplied by Bristan are safe provided they are installed correctly, used correctly and receive regular maintenance in accordance with these instructions.
- **If you are in any doubt about your ability to install this product safely you must employ the services of an experienced qualified plumber.**
- Remove all packaging and check the components for damage before starting installation.
 - ⚠ Before starting any installation please consider the following:
Prior to drilling into walls, check that there are no hidden electrical wires, cables or water supply pipes. This can be checked with the aid of an electronic detector.
- If power tools are used do not forget to:
 - Wear eye protection
 - Unplug equipment after use
- This product **must** not be modified in any way as this will invalidate the guarantee.
- These fittings need to be installed in accordance with and meet the requirements of the Water Supply (Water Fittings) Regulations 1999 and Scottish Byelaws 2004.

General Specifications

Operating pressure range (bar)	Min	Max
3 Hole Basin Mixer	0.4	5.0
3 Hole Bath Filler	2.0	5.0
Wall Mounted Basin Mixer	0.2	5.0
4 Hole Bath Shower Mixer	1.5	5.0
Floor Standing Bath Shower Mixer	2.0	5.0

Maximum static pressure - 10.0 bar

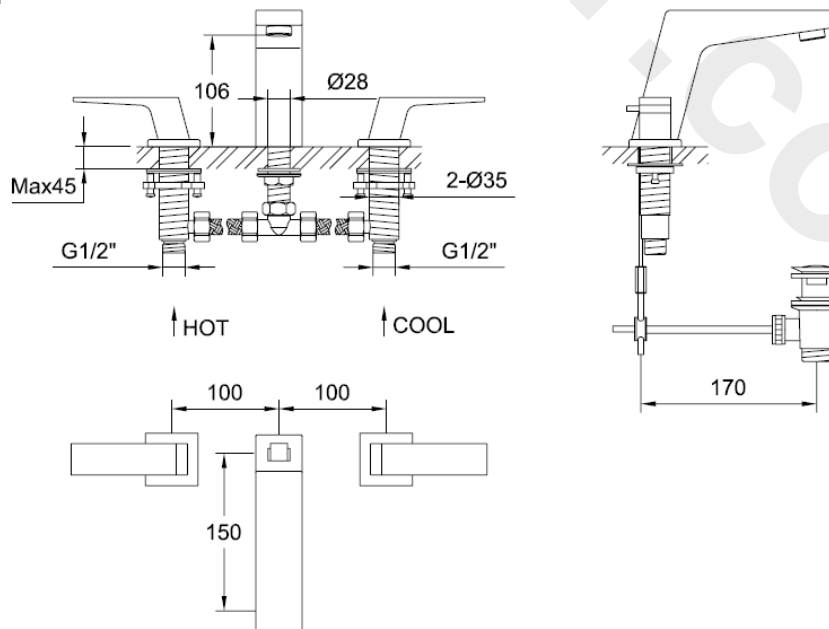
NOTE:- Nominally equal (balanced) inlet supply pressures are recommended for optimum Performance of mixer taps.

Designed to comply with BS EN 200 for single taps / combination taps for water systems of type 1 and 2 general technical specifications; and to be used within systems designed to BS 6700.

BS 6700 recommends the temperature of stored water should never exceed 65°C. A stored water temperature of 60°C is considered sufficient to meet all nominal requirements and will minimise the build up of lime scale in hard water areas.

Dimensions

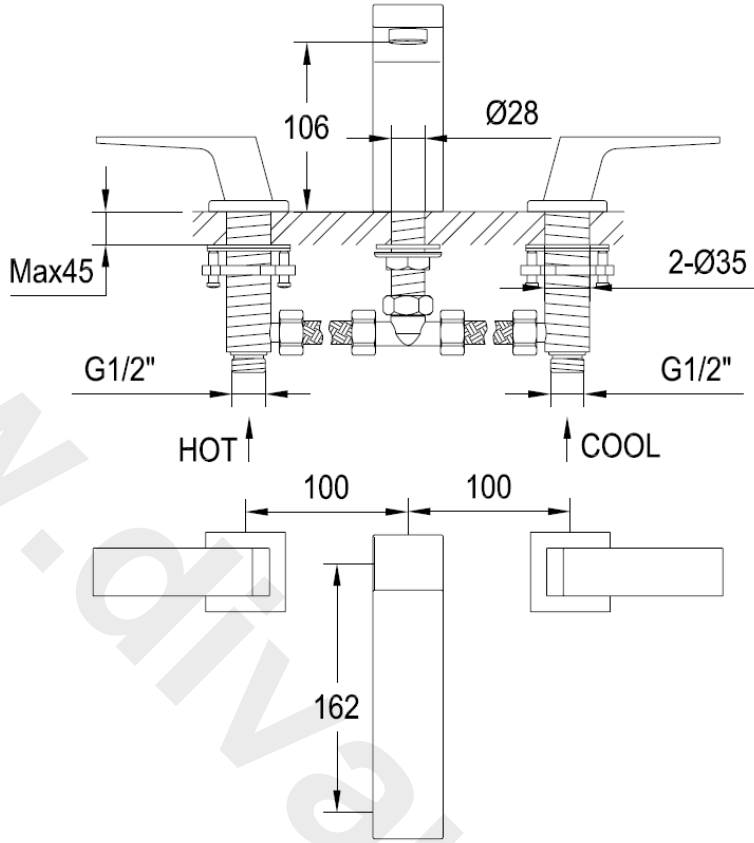
3 Hole Basin Mixer



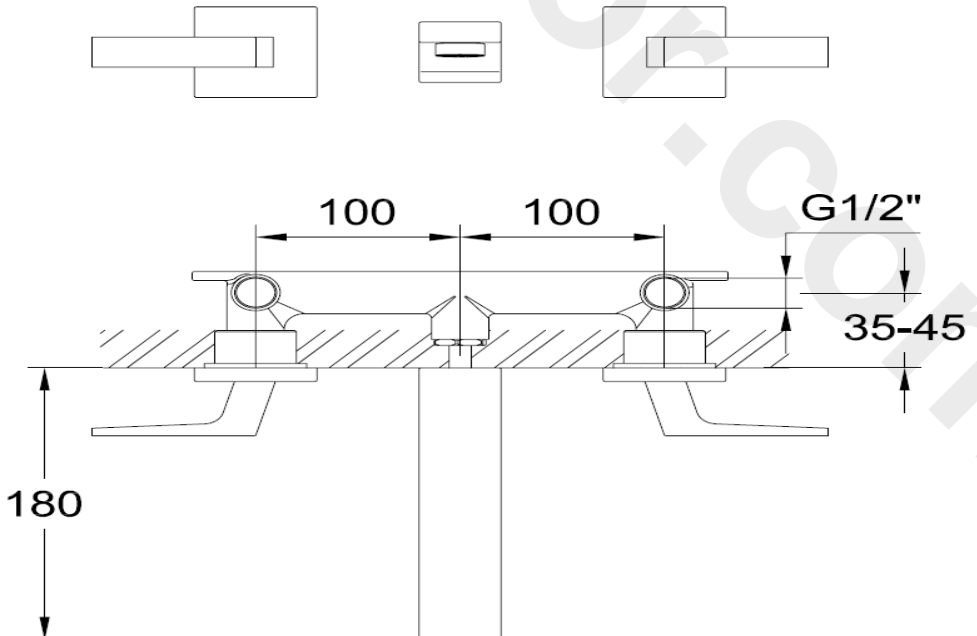
BRISTAN

Dimensions Cont.

3 Hole Bath Filler



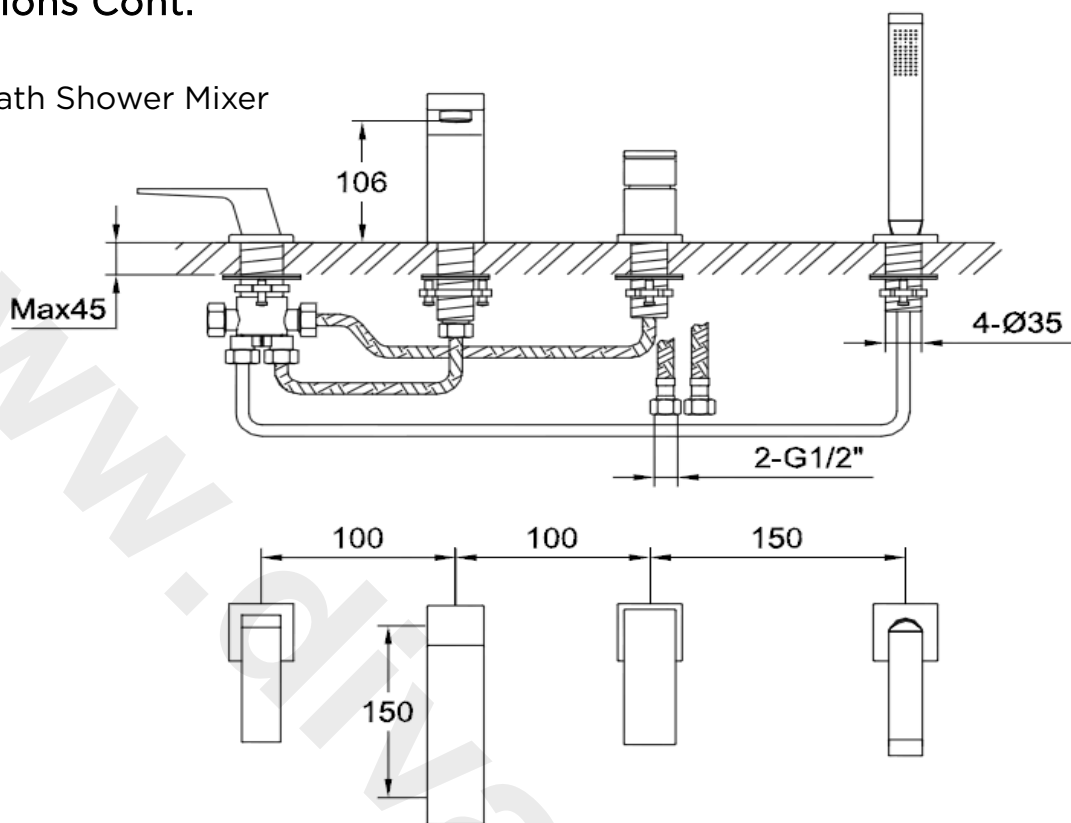
Wall Mounted Basin Mixer



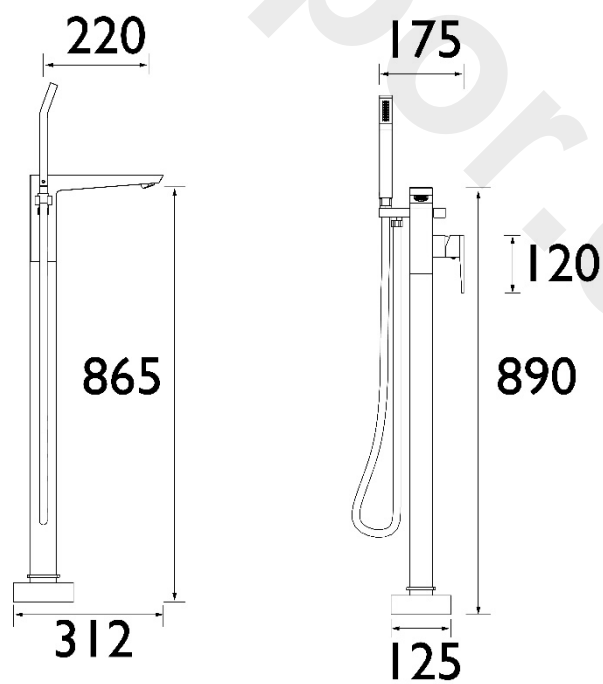
BRISTAN

Dimensions Cont.

4 Hole Bath Shower Mixer



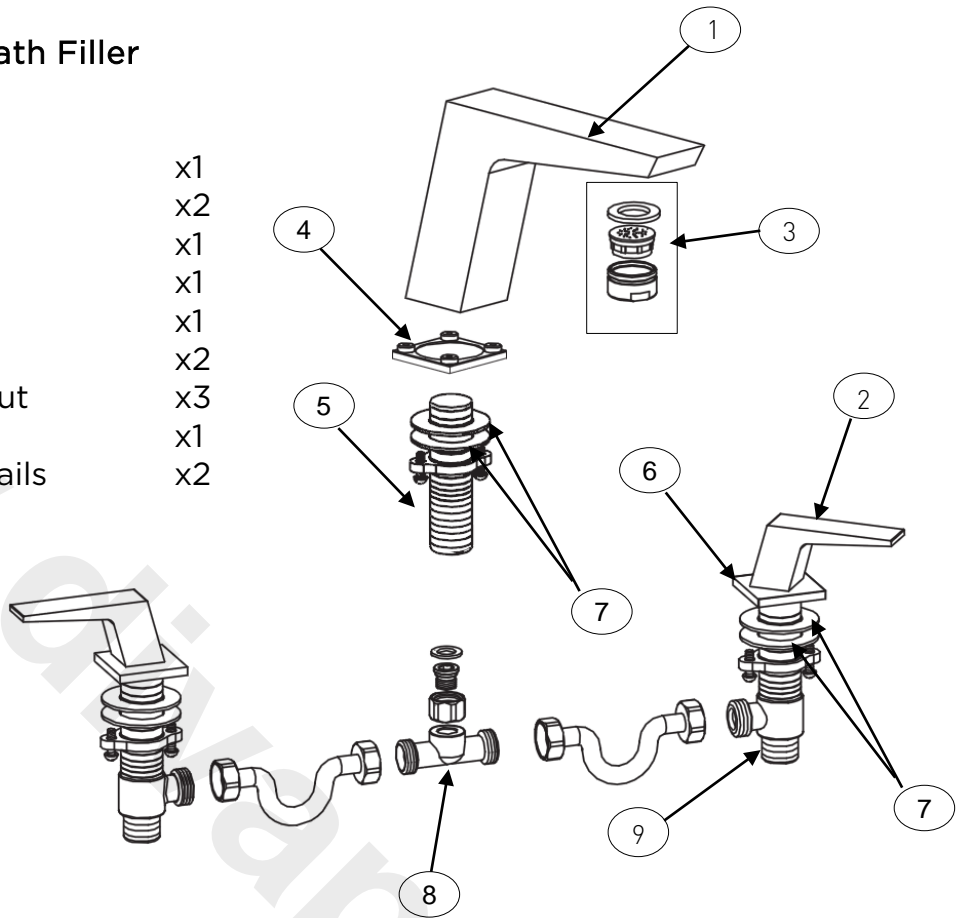
Floor Standing Bath Shower Mixer



Installation

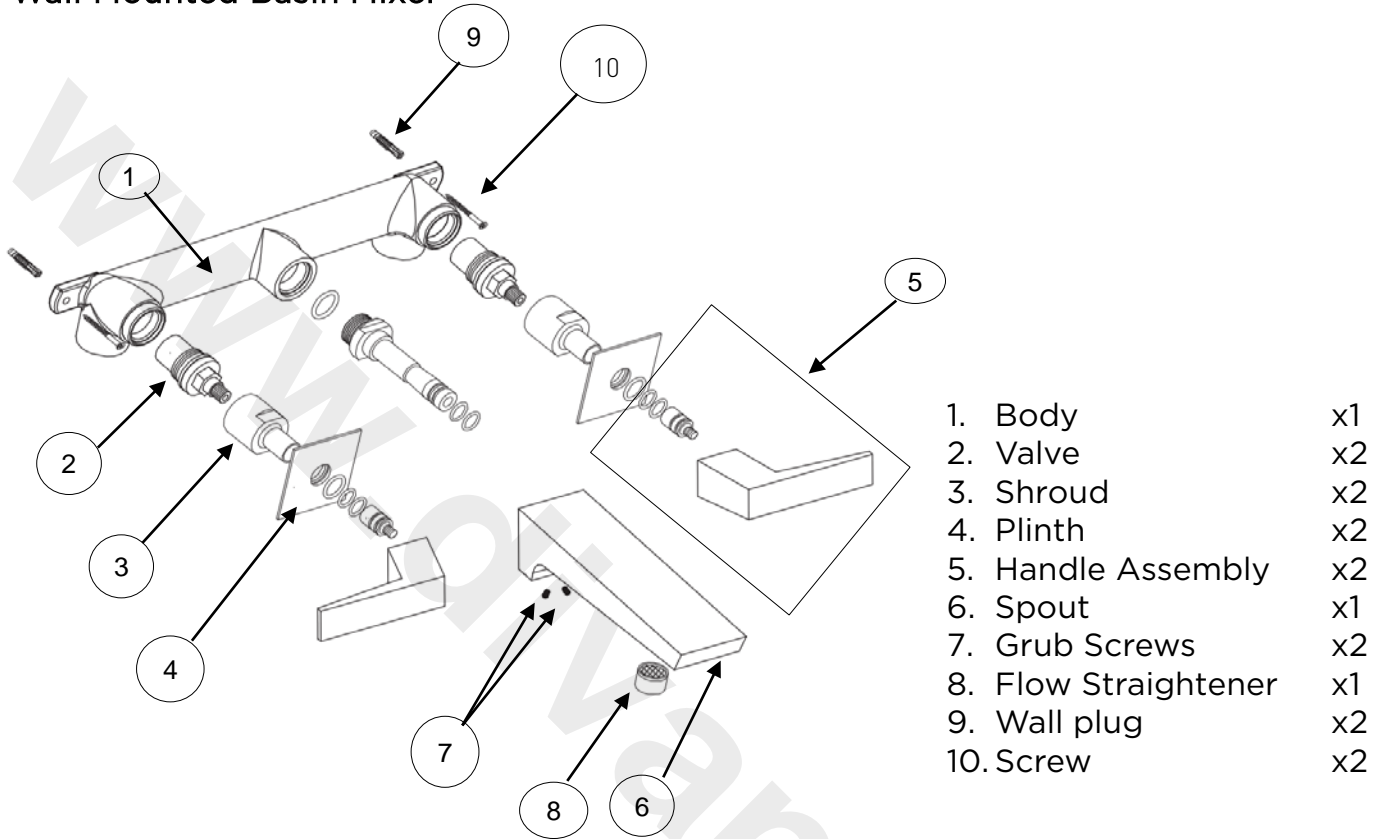
3 Hole Basin Mixer & Bath Filler

- | | |
|-----------------------------|----|
| 1. Spout | x1 |
| 2. Handle | x2 |
| 3. Anti Splash Assembly | x1 |
| 4. Plinth | x1 |
| 5. Spout Threaded Tail | x1 |
| 6. Plinth | x2 |
| 7. Body Washer + Backnut | x3 |
| 8. T Joint Assembly | x1 |
| 9. Side Body Threaded Tails | x2 |



1. Identify all components are present prior to starting installation.
2. Unscrew the plinth (4) from the threaded tail to remove the handle (2).
3. Fit the side body threaded tails (9) to the underside of the basin and secure in place by screwing the plinth (4) and handle (2) back on to the threaded tails (9), and tighten the backnuts (7).
4. Unscrew the T-Joint assembly (8), washers and backnut (7) from the thread of the spout (1) and fit the spout to the basin tightening the backnut (7).
5. Re-attach the T-joint assembly (8) and connect to the side bodies (hot on the left, cold on the right when viewed from the front), by using the desired length of 15/22mm copper pipe (not supplied) and compression fittings (not supplied).
6. Connect the hot and cold water supplies to the side bodies (hot to the left hand side), fully open both valves, letting them run for a few minutes to flush the system.
7. Check all joints and connections for leaks.

Wall Mounted Basin Mixer



⚠ Prior the drilling into walls, check there no hidden electrical wires, cables or water supply pipes with the aid of an electronic detector.

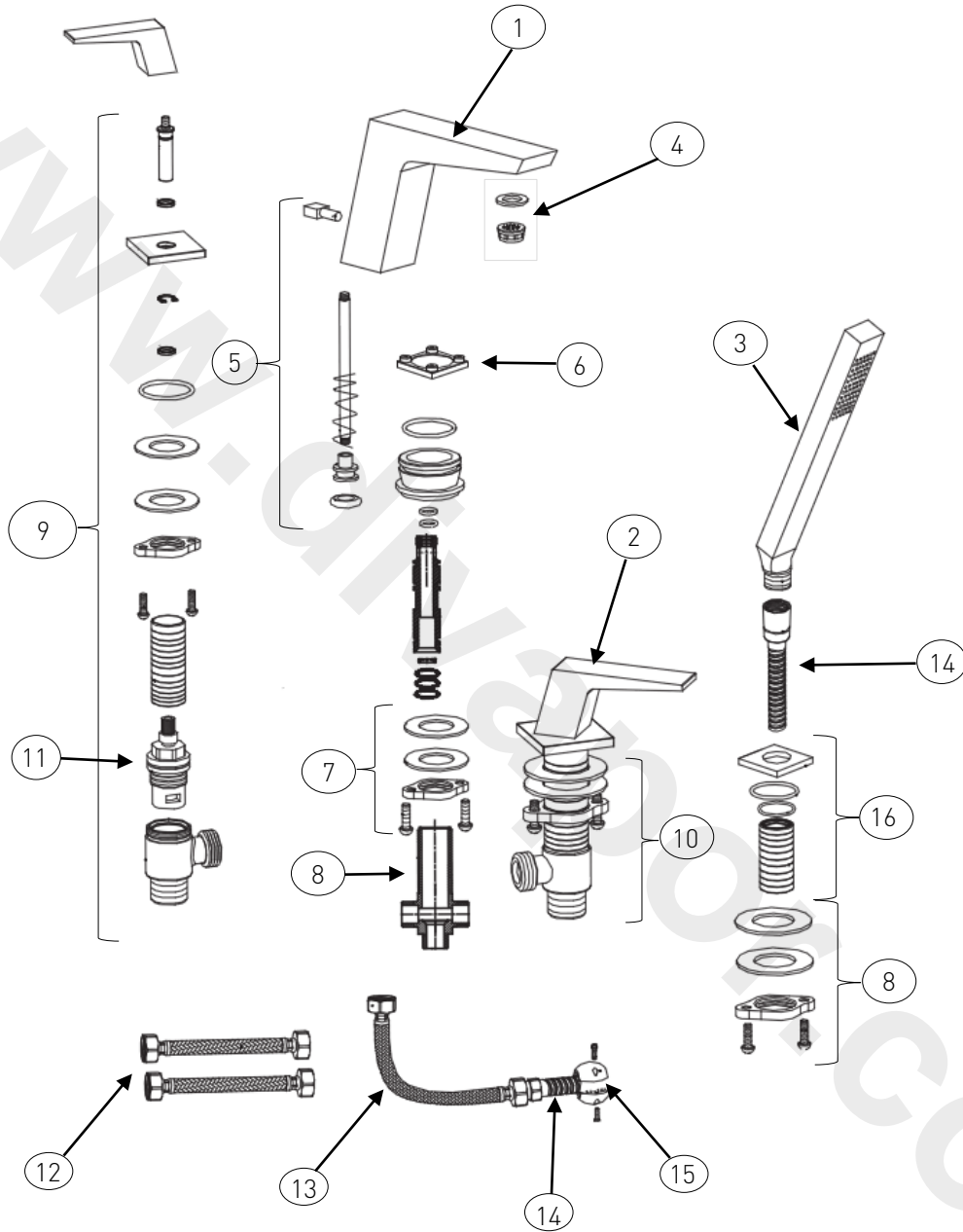
If you use power tools do not forget to:

- Wear eye protection
- Unplug equipment after use.

1. Identify all components are present prior to starting installation.
2. Decide on the final position of the basin mixer (1)
3. Plumb up the hot and cold supply pipes to the required position.
4. Attach pipework to the hot and cold inlets (hot on the left and cold on the right when viewed from the front) using a ½" BSP to 15mm connection (Not supplied).
5. Secure mixer body using the screws (10) and wall plugs (9).
Note: Before finishing the wall turn on water supplies to check both correct mixer function and for leaking connections.
6. Set fitting into wall and complete wall surface. **Please note**, it is important that the spout (6) is not damaged and that sufficient thread is left exposed to allow the spout (6) and the valve shrouds (3) to fit.
7. Fit the spout (6) and tighten the grub screws (7) to secure in position.
8. Screw the valve shrouds (3) onto the valves (2) and push the handles (5) onto the valve shrouds (3).

Installation Cont.

4 Hole Bath Shower Mixer



1. Tap body	x1	9. Hot Tap Assembly	x1
2. Lever handle	x2	10. Cold Tap Assembly	x1
3. Handset	x1	11. CD Valve	x2
4. Anti- Splash Assembly	x1	12. Flexible Connecting Pipes	x2
5. Diverter	x1	13. Connection Hose	x1
6. Plinth	x1	14. Hose	x1
7. Backnut + Washers	x3	15. Weight	x1
8. T- Joint Assembly	x1	16. Handset Connection	x1

4 Hole Bath Shower Mixer

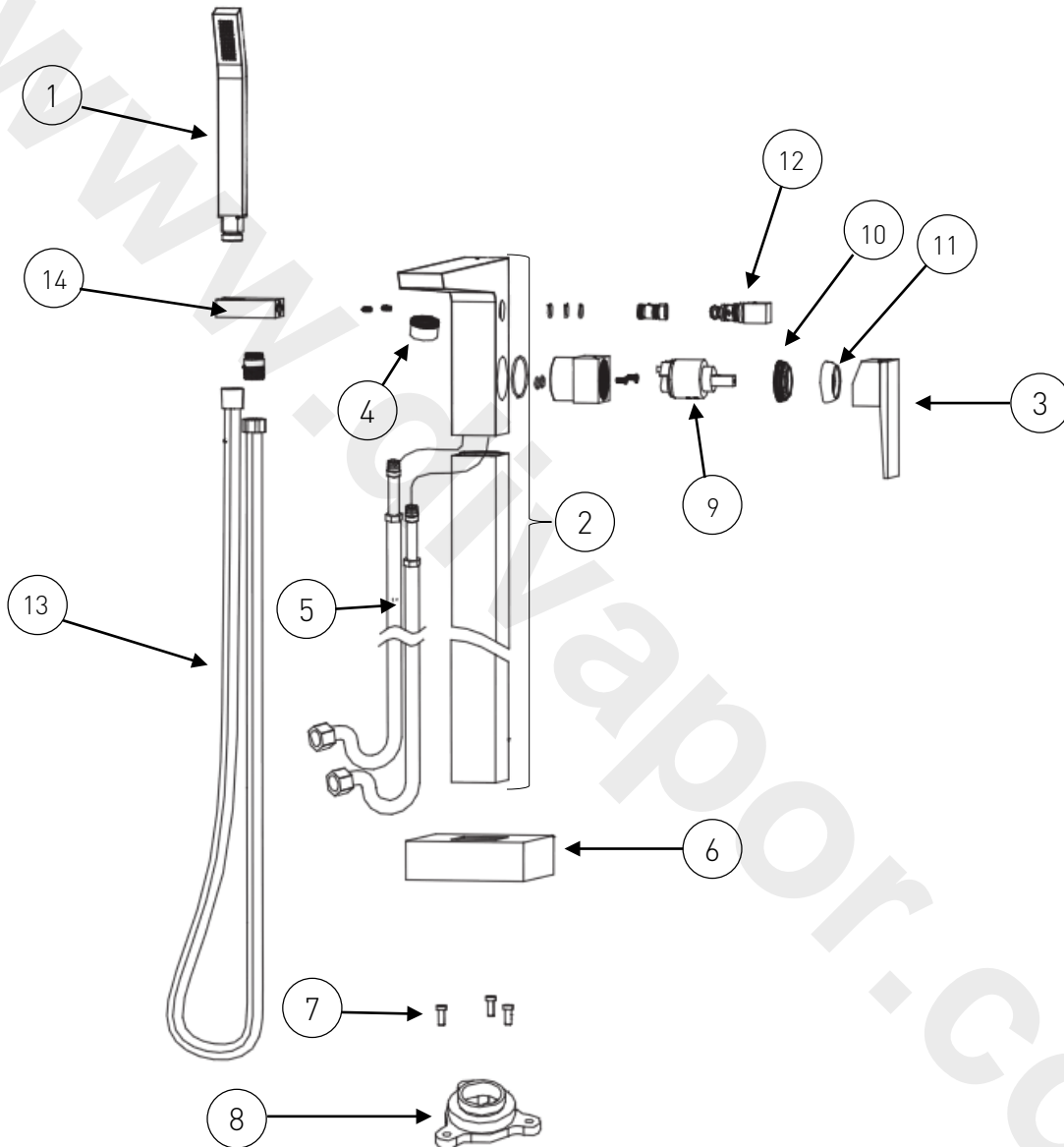
1. Identify all components are present prior to starting installation.
2. Remove the side body handles from the side body assemblies. Connect the side body assemblies (9 &10) to the T-joint assembly (8), using the flexible connecting pipes supplied (12), (hot on the left, cold on the right when view from the front).
3. Remove the backnut and washer (7) from the tap body assembly and fit the tap body (1) to the appropriate bath hole, re-applying the backnut and washer from the underside, in order to secure the tap body (1) to the bath.
4. Feed the side body assemblies (9&10) through the appropriate bath holes and re-attach the side body handles (2). Ensure that the backnuts are tightened to secure each fitting to the bath. A suitable spanner may be required.

Note: The weight (15) is fitted to the hose (14) to ensure the hose drops back down after use.

5. Secure the handset connection (16) to the appropriate bath hole and connect the hose (14) to the hose extension (13). Connect the hose extension (13) to the T-joint assembly (8). Feed the hose through the handset connection (16) and connect to the handset (3).
6. Connect the hot and cold supplies to the side bodies (hot on the left, cold on the right when viewed from the front), fully open both valves, letting them run for a few minutes to flush the system.
7. Operate the mixer in both bath and shower mode. To switch from bath to shower mode pull the diverter lever (5) up. To revert back to bath fill while in use push the diverter lever down. The bath shower mixer will automatically revert back to bath fill if turned off while in shower mode.

8. Check all joints and connections for leaks.

Floor Standing Bath Shower Mixer



1. Handset	x1	8. Fixing Base	x1
2. Tap Body	x1	9. Cartridge	x1
3. Handle	x1	10. Cartridge Retaining Nut	x1
4. Anti- Splash	x1	11. Shroud	x1
5. Flexi Tails	x2	12. Diverter	x1
6. Plinth	x1	13. Shower Hose	x1
7. Fixings	x3	14. Handset Holder	x1

Installation Cont.

Floor Standing Bath Shower Mixer

1. Identify all components are present prior to installation.

Note: If the bath filler is to be fitted onto wooden floorboards, the boards must be reinforced with additional wooden batons due to the height and weight of the bath filler. If the floorboards are not reinforced this may result in the bath filler flexing slightly during operation.

2. Slide the plinth (6) along the body and screw the fixing base (8) onto the tap body (2).



Ensure that the fixing base (8) is secured tightly to the tap body (2); failure to do so may result in the tap spout being able to move after installation.

2. Decide on the required position of the bath filler. Mark the 3 fixing holes of the base onto the floor surface, also marking a central 34 mm hole for the flexi tails.
3. Remove the bath filler and drill suitable holes for the fixings (7) and the central 34 mm hole.
4. Terminate suitable pipework for the water supplies under the floor and ensure the flexi tails (5) will be able to connect once the bath filler is fitted.
5. Connect the flexi tails (5) to the water supplies. The flexi tails are coloured red for hot and blue for cold.
6. Reposition the bath filler in to the chosen position and secure using the fixings (7) supplied.
7. Pull the plinth (6) down to cover the base (8).
8. Operate the mixer in both bath and shower mode. To switch from bath to shower mode, pull and then twist the diverter (12). To revert back to bath fill turn the diverter back.
9. Turn on water supplies. Operate handle (3) and leave for a few minutes, letting the water flow through, to check all joints and connections for leaks, before finishing floor work.

BRISTAN

Maintenance

General Cleaning

Your fitting has a high quality finish and should be treated with care to preserve the visible surfaces. All finishes will wear if not cleaned correctly. The only safe way to clean your product is to wipe with a soft damp cloth. Stains can be removed using washing up liquid. All bathroom cleaning products (powders and liquids) will damage the surface of your fitting, even the non-scratch cleaners.

Note: Never use abrasive detergents or disinfectants or those containing alcohol, hydrochloric acid or phosphoric acid.

We advise that your fitting is regularly serviced in hard water areas to maintain optimum performance.

Cleaning the Showerhead:

SAI 4HBSM C
SAI FSBSM C

Your Bristan showerhead has rub-clean nozzles for easy cleaning. Simply rub your fingers across the rubber spray jets regularly and before you turn the shower on to remove any scale or debris.

The hardness of the water in your area will determine how often you should clean your showerhead. Build up of scale in particularly hard water areas combined with constant use means you may need to clean your showerhead once a week. To ensure continued performance the showerhead needs to be regularly descaled.

Tip: If the showerhead is heavily scaled or has not been maintained for a long period of time a solution of hot water and white vinegar may be needed to clear the scale.

Mix a 50/50 solution and rub the nozzles thoroughly with the solution making sure the solution gets into all of the nozzles.

Wash off the solution with clean water.

Maintenance cont.

Cleaning the Valves:

If your fitting begins to leak the following should be carried out;

Isolate both hot and cold water supplies to the tap by either:

- Turning the water supply off at the mains stopcock or
- Turning off the isolation valves to the tap.

1. Remove the handle by unscrewing the plinth from the side body.
2. Unscrew the valve from inside of the side body using a suitable long socket.
3. Lift out the valve and clean thoroughly. Be sure to check and clean out the seating within the tap body/assembly.
4. If necessary replace the valve.

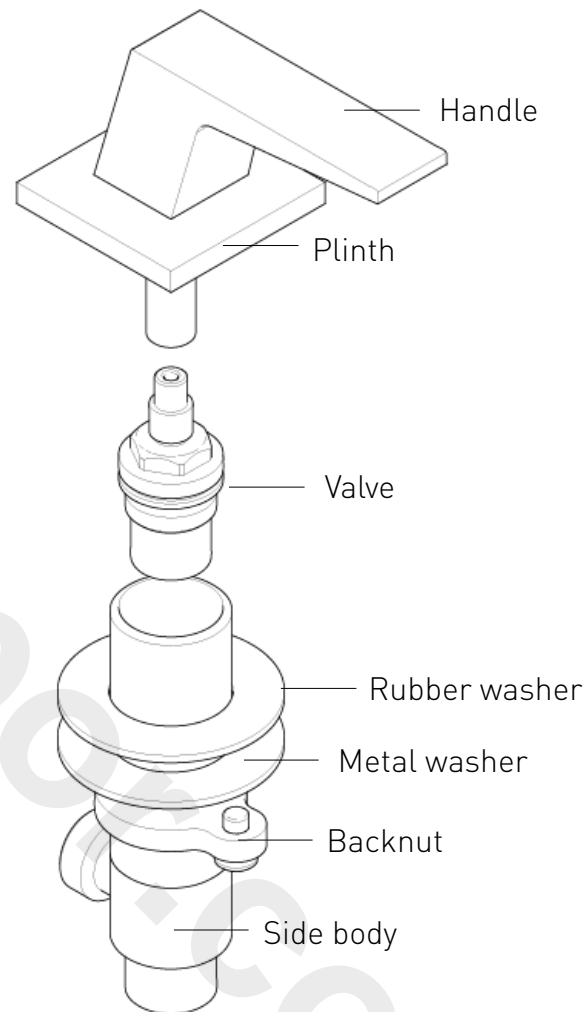
Please visit

www.bristan.com/sparesfinder in order to find spare parts for this product.

6. Place the valve back into the tap side body and tighten the valve fully using a suitable socket.
7. Screw the plinth back on to the side body. .

Note: It may be necessary to tighten the backnut.

8. Turn on water supply and check for leaks.
9. Contact our helpline if problem persists.



BRISTAN

Maintenance cont.

Cleaning the Cartridge:

If your fitting begins to leak the following should be carried out;
Isolate both hot and cold water supplies to the tap by either:

- Turning the water supply off at the mains stopcock or
 - Turning off the isolation valves to the tap.
1. Remove the handle loosening the grub screw.
 2. Unscrew the shroud and cartridge retaining nut and pull the cartridge out from the body.
 3. Clean the cartridge thoroughly under cold water to remove any build up of limescale or debris.

Please visit www.bristan.com/sparesfinder in order to find spare parts for this product.

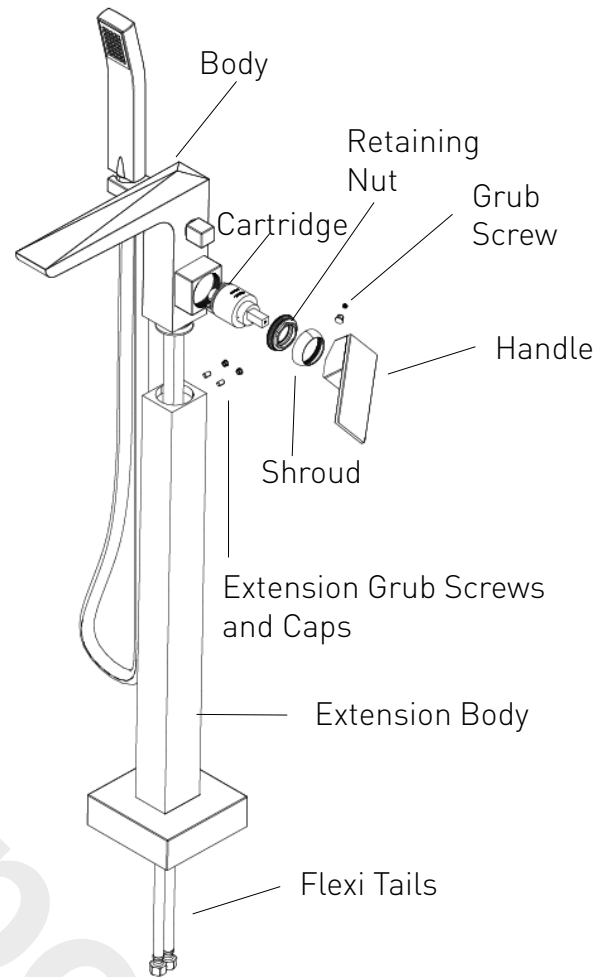
4. Replace the cartridge into the body and tighten the retaining nut to secure in place.
5. Screw the shroud onto the retaining nut and push the handle onto the cartridge. Tighten the grub screw.

Removing the Flexi Tails:

Should you need to replace the flexi tails, the following should be carried out;

Note: Before carrying out any maintenance insure the water supplies are isolated.

1. Remove the bath shower mixer from the floor.
2. Remove the extension caps and grub screws and pull the body up.
3. Unscrew the flexi tails from the bottom of the mixer body.
4. Pull the extension up over the flexi tails and replace with new ones supplied by Bristan.
5. Refit the extension body securing to the floor and screw the flexi tails into the mixer body.
6. Tighten the extension grub screws and fit the caps to secure the mixer body in position.
7. Turn on the water supplies.



Troubleshooting

Symptom	Cause	Remedy
No flow or poor flow rate.	Partially closed stop or service valve in water supply pipework to the tap.	Open stop or service valve.
	Head of water is below the minimum distance required.	Refer to the Specification section for minimum pressures required.
	Possible airlock / blockage in supply pipework	Remove water supplies from the fitting and flush the system to remove any airlocks / debris.
	Cartridge / Valve not opening fully.	Service fitting. Refer to maintenance section on pages 15-16.
Water dripping for a few seconds after the tap has been turned off.	This is caused by 'capillary action' and residual water in the spout being siphoned out.	This should only last for a couple of seconds, and is normal after use.
Constant dripping / leaking when the tap is not in use.	Cartridge / Valve not fully shutting off.	Service fitting and replace cartridge. Refer to maintenance section on page 15-16.
Fitting does not turn on.	Water supplies not turned on.	Check that the water supplies to the fitting are turned on.
	Closed stop or service valve.	Open stop or service valve.
Water does not come out of the showerhead when using the bath shower mixer.	Diverter mechanism not fully open.	Pull the diverter out fully and twist to lock into position.
	Insufficient water pressure / header height.	Refer to the specification section for minimum pressures required.

BRISTAN

Bristan Guarantee



At Bristan, we want to make things as easy as possible for our customers.

That's why we offer solid guarantees on all our products, effective from the date of purchase, to give you peace of mind.

To start your free guarantee, simply scan the QR code and register your product. Alternatively, visit

www.bristan.com/register to register your product via a computer

For full guarantee terms and conditions visit,

www.bristan.com/guarantees



We Know & We Care

www.divapor.com

BRISTAN

This booklet covers product codes

SAI 3HBAS C

SAI 3HBF C

SAI WMBAS C

SAI 4HBSM C

SAI FSBSM C

Helpline

0330 026 6273

Bristan Group Limited

Birch Coppice Business Park, Dordon, Tamworth, Staffordshire B78

1SG

A Masco Company

Website: www.bristan.com

Telephone: 0330 026 6273

Email: enquire@bristan.com